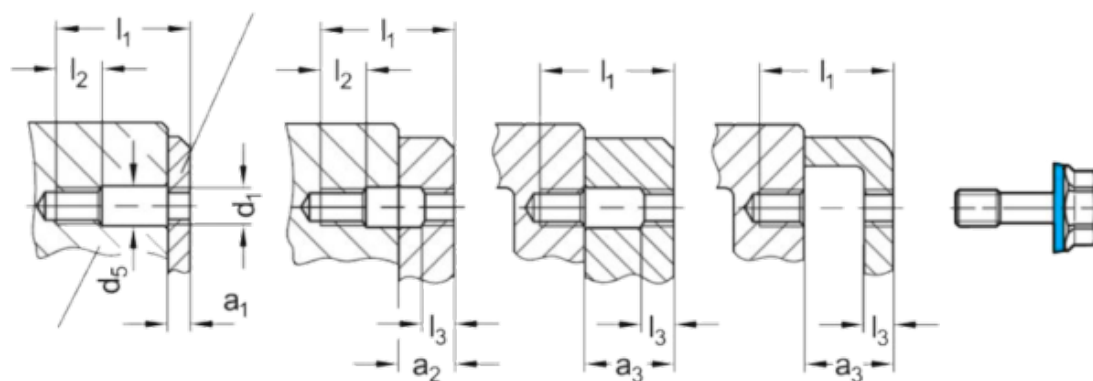
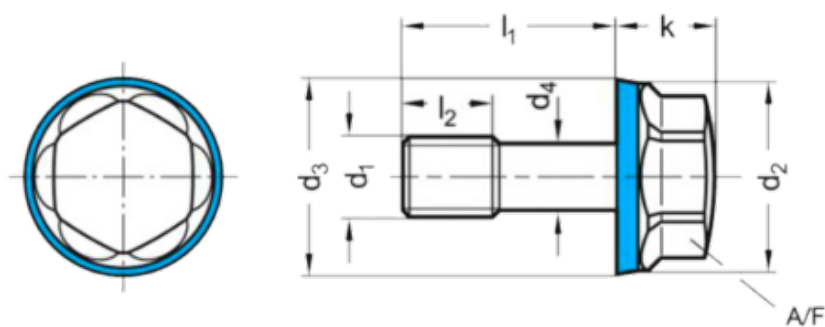


Article number: 201581M520MTE1

Description: E+G Nut GN 1582-M5-20-MT-E-1
Hygienic design

Measures



a1	= 2.5-6	l1	= 20
a2	= 6-10.5	l2	= 6
a3	= 10.5-14	l3	= 2.5
AF	= 8	Weight	= 5
d3	= 11.8		
d4 -0,2 = -			
d5	= 5.5		
k	= 7		